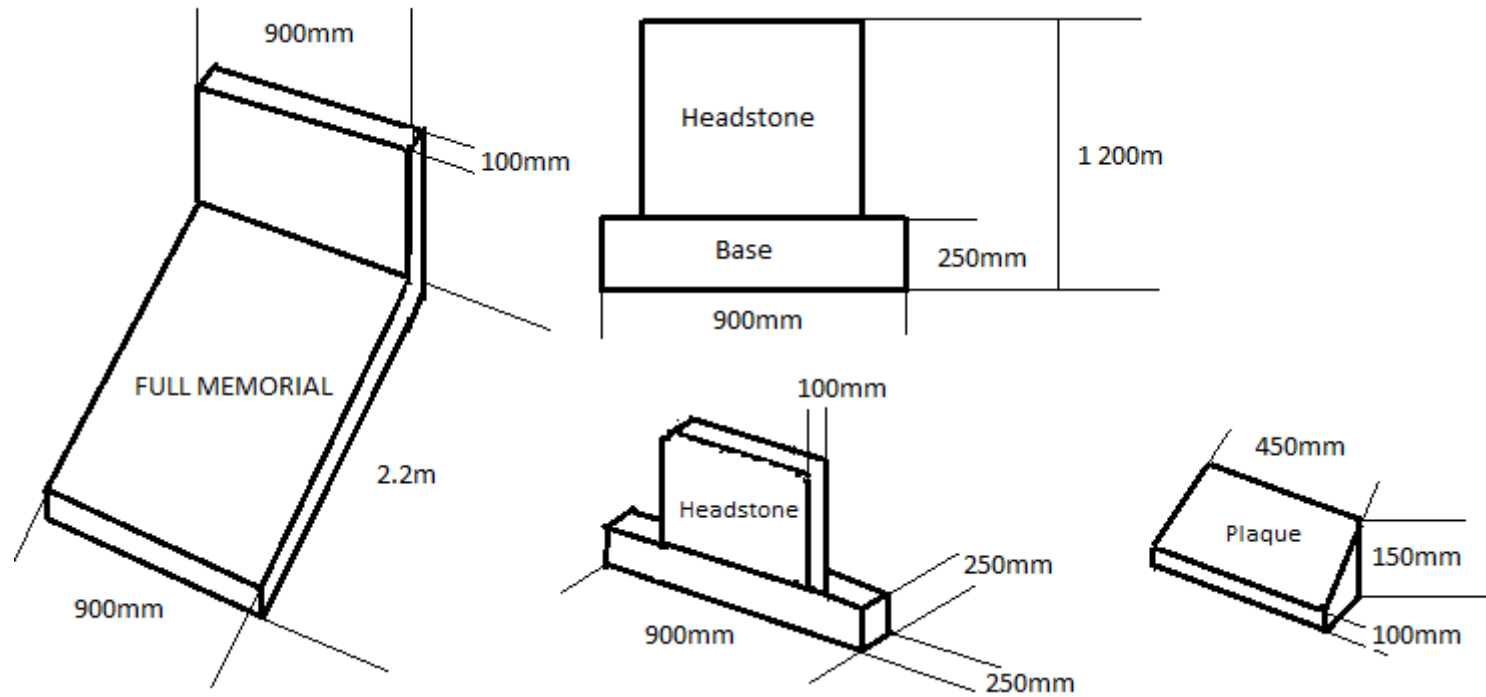


## CALGROM3 MEMORIAL PARKS – NASREC TOMBSTONE SPECIFICATION AND DETAIL



### NOTES:

1. All tombstones to be constructed of granite or marble only
2. Maximum height of headstone 1 200mm including base
3. Application for erection of tombstone form to be completed at the Memorial Park before commencement of erection
4. No permit fee
5. Sketch plan to be submitted to Memorial Park management for approval
6. No mixing of cement on the lawn
7. All rubble to be removed immediately after erection
8. No memorial work is allowed to be erected on Saturday, Sunday or Public Holidays
9. Memorial work may be erected during the times Monday to Thursday 07h30 – 15h00 and Friday 07h30 – 12h00
10. All memorial work must comply with terms and conditions as detailed in the City of Johannesburg Cemeteries & Crematoria by-laws (memorial work)
11. Please consult the Memorial Park management to confirm which sections allow full memorials, headstones and plaques